

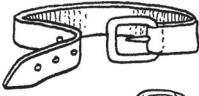


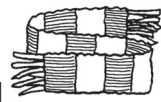


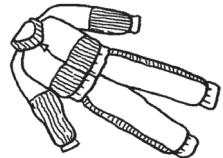

Bugs World 6

Name: _____

Unit 1 REINFORCEMENT WORKSHEET 1

Class: _____

1 Look and match. Write a letter in the box.

a		b		1 belt	<input type="text" value="a"/>
c		d		2 tracksuit	<input type="text"/>
e		f		3 tights	<input type="text"/>
g		h		4 skirt	<input type="text"/>
				5 scarf	<input type="text"/>
				6 jacket	<input type="text"/>
				7 earrings	<input type="text"/>
				8 trainers	<input type="text"/>

2 Look and write.

1 earrings

2 _____

3 _____

4 _____

5 _____

6 _____

7 _____

8 _____



3 Look, read and circle Yes or No.

- | | | |
|--|-----|-------------------------------------|
| 1 Bio is wearing a tracksuit and trainers. | Yes | <input checked="" type="radio"/> No |
| 2 Sporty is wearing a belt. | Yes | <input type="radio"/> No |
| 3 Techy is wearing a jacket. | Yes | <input type="radio"/> No |
| 4 Techy is wearing jeans. | Yes | <input type="radio"/> No |
| 5 Cool is wearing a T-shirt and trainers. | Yes | <input type="radio"/> No |
| 6 Cool is wearing trousers and a cap. | Yes | <input type="radio"/> No |
| 7 Bio is wearing a skirt. | Yes | <input type="radio"/> No |
| 8 Sporty is wearing earrings. | Yes | <input type="radio"/> No |



Bugs World 6

Name: _____

Unit 1 REINFORCEMENT WORKSHEET 2

Class: _____

1 Read and answer.

- Where are the Bugs Band?
They're at Wembley Stadium.
- Are they famous?
_____.
- What's the matter with Cool?
_____.
- Can he sing tonight?
_____.
- Where does Dave sometimes sing?
_____.



2 Read and complete.

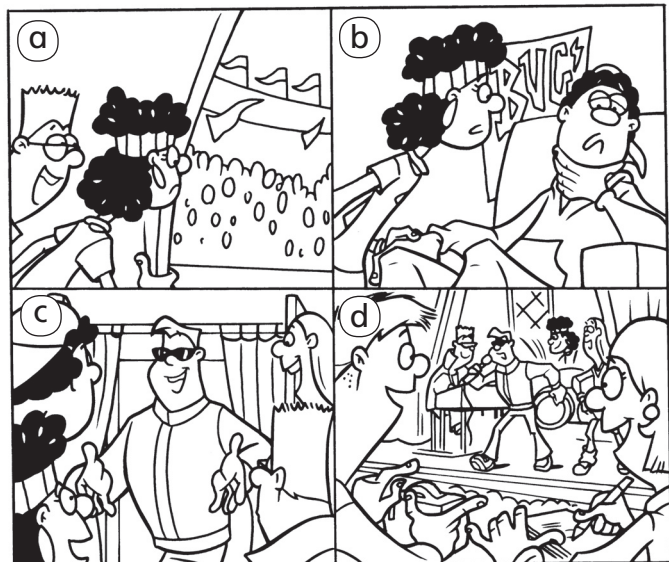
~~a~~ skirt concert wearing She ticket belt

Susie's at the Bugs Band concert. She's wearing tights and (1) a (2) _____. She's also (3) _____ a white T-shirt with a big (4) _____. She's got a (5) _____ in her hand. (6) _____'s waiting for the (7) _____.



3 Read and match.

- Cool has got a sore throat. b
- Dave, the manager, decides to sing. He puts on a white tracksuit and looks great.
- Dave sings really well.
- The Bugs Band are at Wembley Stadium in London.



Bugs World 6

Name: _____

Unit 1 REINFORCEMENT WORKSHEET 3

Class: _____

1 Look at the notes. Complete the sentences about Bio's Saturdays.

- 1 Bio never gets up late on Saturday.
- 2 She _____ has orange juice for breakfast.
- 3 She _____ goes shopping.
- 4 She _____ goes swimming.
- 5 She _____ reads the newspaper.

get up late – never
have orange juice for
breakfast – always
go shopping – sometimes
go swimming – usually
read the newspaper –
always

2 Order and write the questions. Write answers for you.

- 1 late / you / Do / get / usually / up
Do you usually get up late ? _____ .
- 2 always / Do / you / Mondays / swimming / go / on
_____ ? _____ .
- 3 a / Do / read / on / you / Saturdays / book / never
_____ ? _____ .
- 4 sometimes / you / shopping / on / go / Do / Saturdays
_____ ? _____ .



3 Read about Dave. Answer the questions.

- 1 What time does Dave usually get up?
He usually gets up at half past eight .
- 2 What does he do after breakfast?
_____ .
- 3 Does he listen to music in the morning?
_____ .
- 4 What time does he have lunch?
_____ .
- 5 What does he sometimes do after lunch?
_____ .
- 6 What does he usually do in the evening?
_____ .

I usually get up at half past eight.
I have breakfast and then I
always read the newspaper.
I never listen to music in the
morning. I always have lunch at
two o'clock. In the afternoon I
sometimes go for a walk. In the
evening I usually watch a film or
I go out with friends.

